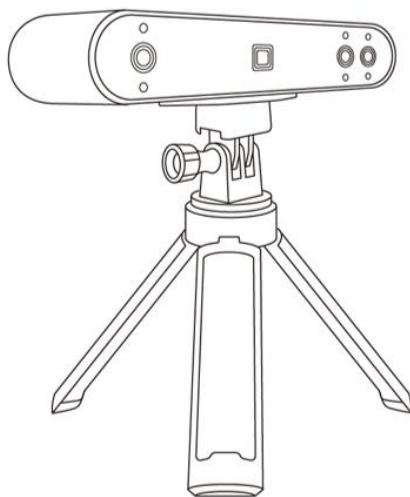


POP 3 3D SCANNER

Quick Start Guide

V2.0



REVOPOINT

Table of Contents

Read Before Your First Scan	1
Software Download	1
Scanning Dark, Transparent, or Reflective Objects	1
Scanning Objects with Plain Surfaces	2
Color Scanning	2
About POP 3	3
What's in the Box?	4
POP 3 on Windows or macOS Devices	5
System Requirements	5
Connection Methods	5
Connecting POP 3 to a PC via USB	5
Connecting POP 3 to a PC via Wi-Fi	7
POP 3 on Smartphones	8
System Requirements	8
Connection Methods	8
Connecting POP 3 to Android Phones via USB	8
Connecting POP 3 to Phones via Wi-Fi	10
Appendix	12
Specifications	12
LED Indicators	14
Updating the Firmware	14
Scanner Calibration	14
Maintenance Instructions	14
Customer Service	15

Read Before Your First Scan

Software Download



To use your POP 3 3D Scanner, you must first download the Revo Scan software. You can download it from Revopoint's website <https://www.revopoint3d.com/download/> for Windows and macOS systems. And for Android or iOS smartphones, search for "Revo Scan" in the Google Play or Apple App Store.



Windows V5.2.3

Updated 2023-08-09

[Download](#) [Google Drive](#)



Mac V5.2.3

Updated 2023-08-09

[Download](#) [Google Drive](#)



Android V5.2.2

Updated 2023-07-28

[Google Play](#) [Download](#)



iOS V5.2.2

Updated 2023-07-28

[App Store](#)

To learn more about Revo Scan's functions, please check out the user manual in Revo Scan.

Scanning Dark, Transparent, or Reflective Objects

Like most 3D scanners, the POP 3 will struggle to scan transparent, reflective, or black objects without first lightly coating the object's surface with scanning spray, baby powder, or dry shampoo.

Hard-to-scan Surfaces

Surface Features	Possible Solutions
Black or very dark objects	Apply scanning spray or fine powder materials
Shiny or reflective objects	Apply scanning spray or fine powder materials

Metal or electroplated surfaces	Apply scanning spray or fine powder materials
Transparent objects	Apply scanning spray or fine powder materials

Scanning Objects with Plain Surfaces

Scanning objects with simple geometric features, like a football or wine bottle, requires using Marker stickers or marker points and scanning in Marker Mode.

1. Place the Marker stickers on or around the objects' surface irregularly and ensure there are at least 5 Marker stickers per frame for the entire scan, or the scanner will lose track.
2. Alternatively, reference objects (these are any objects with distinct features that can be easily tracked) can be used. Place 1 to 3 reference objects around the item you are scanning for the 3D scanner to track. If doing this, you can use the scanner in Feature tracking mode for the scan.

Please scan the QR code to watch a Marker stickers video tutorial.

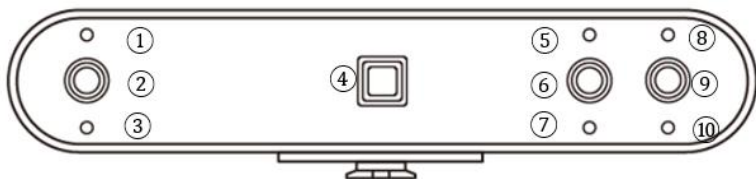


Color Scanning

For optimal color scanning, please ensure that the object is evenly lit with soft light and that there are no dark or hard shadows.

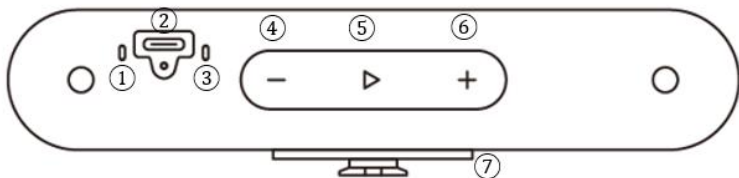
About POP 3

The POP 3 is the next-gen 3D scanner from the POP series with new and improved hardware, design, and usability. The improvements in POP 3's capabilities offer more possibilities for 3D printing, 3D animation design, reverse engineering design, product design, medical health, digitizing historical items, VR/AR, and more.



1. Infrared Fill Light
2. Depth Camera
3. Infrared Fill Light
4. Projector
5. White LED

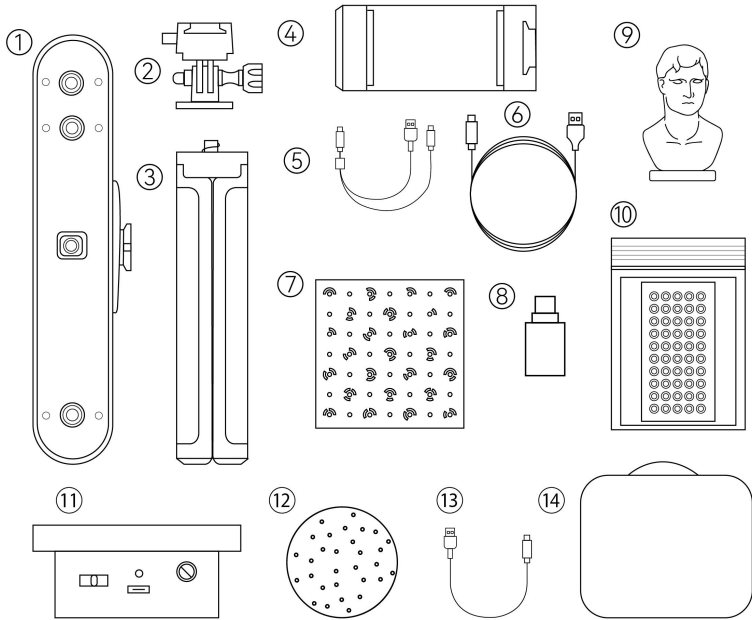
6. RGB Camera
7. White LED
8. Infrared Fill Light
9. Depth Camera
10. Infrared Fill Light



1. Connection Indicator
2. Type-C Port
3. Power Indicator
4. Decrease Exposure

5. Start/Pause Scan
6. Increase Exposure
7. Quick Setup Board

What's in the Box?



1. POP 3 3D Scanner
2. Quick Mount Kit
3. Tripod
4. Phone Holder
5. 2-in-1 Mobile Cable
6. USB Type-C Cable
7. Calibration Board
8. Type-C Adapter

9. Sample Bust
10. Gifts (Markers, Black Sheet)
11. Mini Turntable
12. Marker Topper
13. Turntable USB Cable
14. Carrying Case

* The Content in the above image is for illustrative purposes only.

POP 3 on Windows or macOS Devices

Both Windows and macOS computers are compatible.

System Requirements



Windows: Win 10/11 (64-bit)
Memory: ≥8GB
Processor: Intel Core i5 or better



Mac with Intel × 86 chip: macOS 10.15 and models after
Mac with Apple M1 chip: macOS 11.0 and models after
Memory: ≥8GB

* Minimum PC Display Screen Resolution: 1344×768 (1920×1080 is recommended).

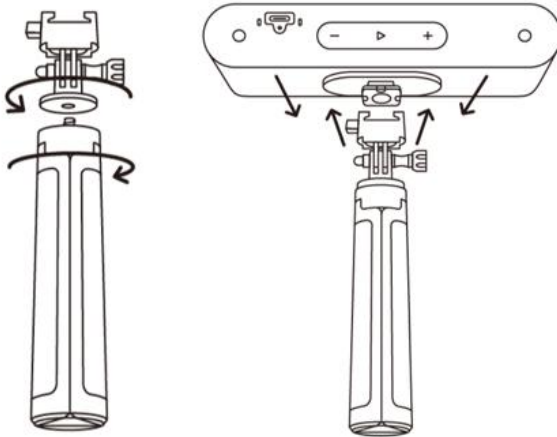
Connection Methods

	Windows	macOS
USB Mode	✓	✓
Wi-Fi Mode	✓	✓

Connecting POP 3 to a PC via USB

Step 1: Screw the Quick Mount Kit onto the Tripod.

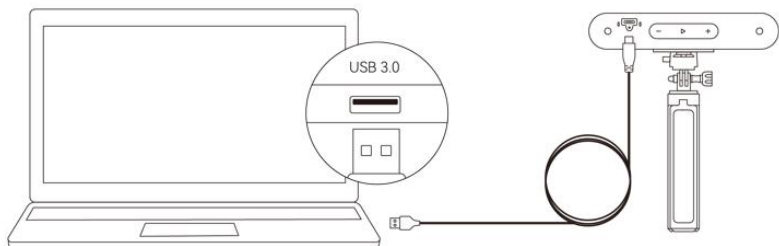
Step 2: Clip the POP 3 to the top.



Step 3: Connect the USB cable's Type-C end to the POP 3's rear port.

Step 4: Plug the Type-A end into a USB 3.0 port or above on your computer.

Step 5: Open Revo Scan on your computer.

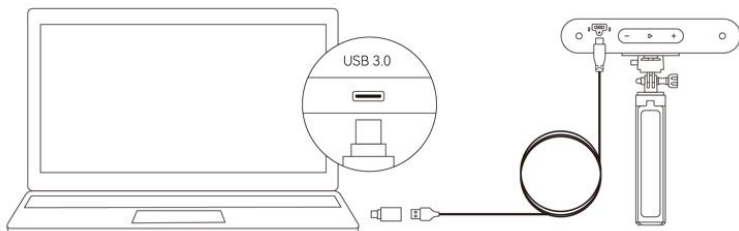


Windows or macOS

Notes:

1) Connect the POP 3 to a USB 3.0 port or above (USB 2.0 will not supply sufficient operating power.) Ensure your USB 3.0 port is not damaged or worn out.

2) If there is no Type-A port on your computer, use the Type-C Adapter.

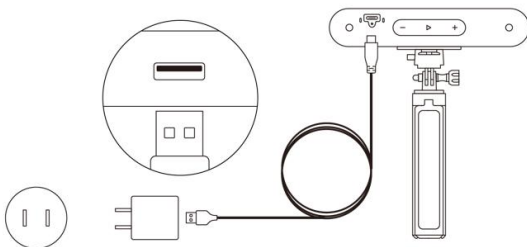


Windows or macOS

Connecting POP 3 to a PC via Wi-Fi

Step 1: Power the POP 3 with the Power Bank Handle or an AC adapter.

(Note: Do not plug it into your PC; it will be in USB mode by default.)



Step 2: Connect the PC to the POP 3.

1) Go to your Wi-Fi setting, search for the network called POP 3-XXXXXXX and connect (No password is required).

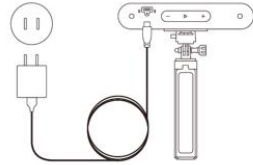
2) Wait a few seconds for the scanner to connected.



Windows or macOS



Wi-Fi



Step 3: Open Revo Scan on your computer.

POP 3 on Smartphones

Android devices can connect via either USB or Wi-Fi. However, iOS devices only support Wi-Fi.

System Requirements



Android: ≥Android 9.0
Harmony OS is supported.
RAM: ≥6GB



iPhone: iPhone 8 Plus or models after
iPad: 6th generation iPad or models after
System Version: ≥iOS 13.0

Connection Methods

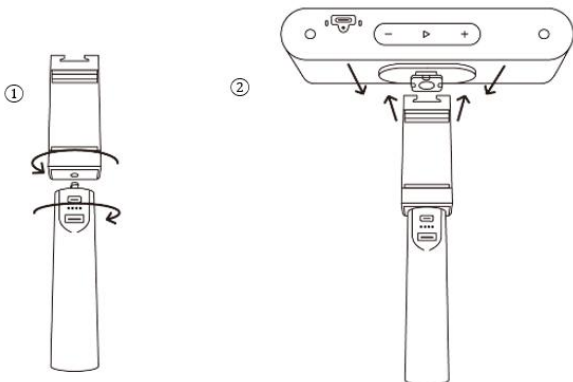
	Android	iOS/iPadOS
USB Mode	✓	✗
Wi-Fi Mode	✓	✓

Connecting POP 3 to Android Phones via USB

Step 1: Screw the Phone Holder onto the Power Bank.

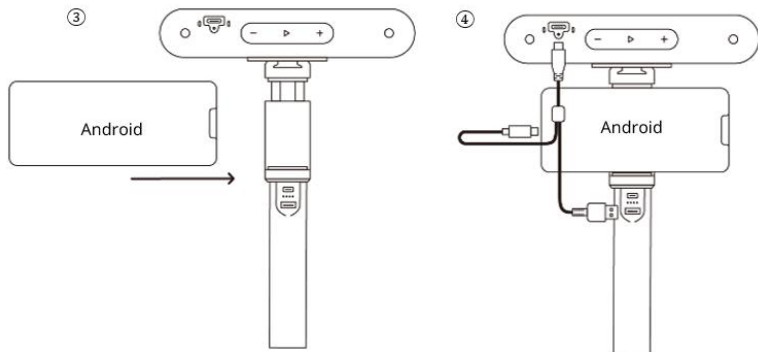
Step 2: Clip the POP 3 to the top of the Phone Holder.

Note: The Power Bank Handle is not included in the Standard Edition and can be found on Revopoint Store. Or you can prepare a power bank (5V, 1A).



Step 3: Pull open the Phone Holder's clamps and fit your smartphone.

Step 4: Connect the 2-in-1 Mobile Cable's Type-C end to the POP 3's port, Type-A to the Power Bank, and Type-C to an Android smartphone.

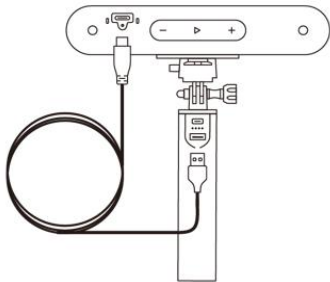


Connecting POP 3 to Phones via Wi-Fi

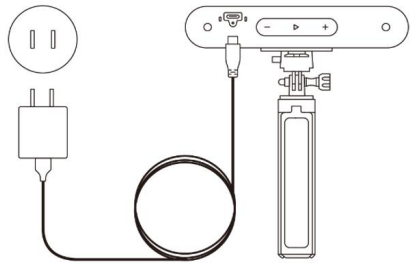
Both Android and iOS Phones are compatible.

Step 1: Power the POP 3 on via the Power Bank Handle or a Socket.

- 1) Powered by a Power Bank.
- 2) Powered by a Socket.



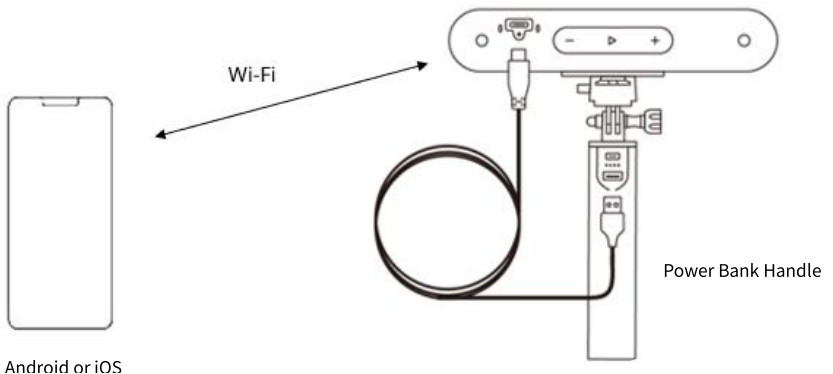
Power Bank Handle



Socket

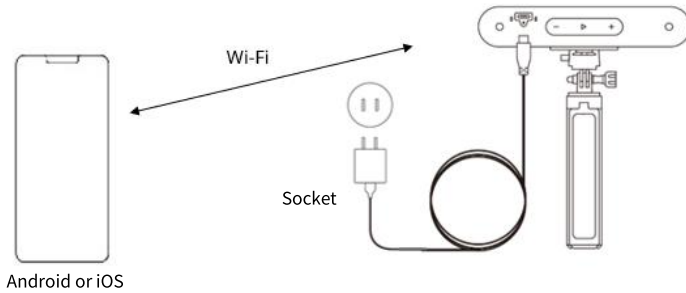
Step 2: Connect the Smartphone to the POP 3.

- 1) Go to your smartphone's Wi-Fi setting, search for the network called POP 3-XXXXXXX and connect (No password is required).
- 2) Wait a few seconds for the scanner to be connected.



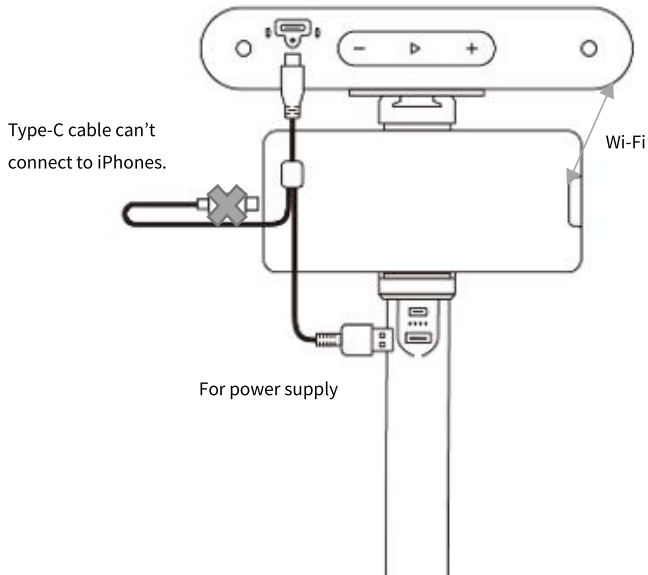
Android or iOS

Or



Step 3: Open Revo Scan on your phone.

Note: If you have an iPhone, and want to use the 2-in-1 Mobile Cable to scan, it works like this:



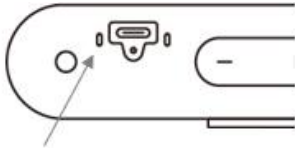
Appendix

Specifications

Product Name	POP 3 3D Scanner
Technology	Biocular Dual Camera Infrared Light
Single-frame Precision	Up to 0.05 mm
Single-frame Accuracy	Up to 0.1 mm
Single Capture Range	125 mm x 225 mm
Working Distance	150 mm - 400 mm
Minimum Scan Volume	20 mm x 20 mm x 20 mm
Scanning Speed	Up to 18 fps
Light Source	Class 1 Infrared Light
Tracking Methods	Feature, Marker
Color Scanning	Yes
Output Formats	PLY, OBJ, and STL
Point Distance/ Resolution	0.05 mm
Special Object Scanning	Use scanning spray for transparent, dark, or highly reflective objects.
Scanning Environment	Indoors and Outdoors
Outdoor Scanning	The POP 3 cannot scan objects well in direct bright sunlight.

Scanner Dimensions	153 mm x 45 mm x 29 mm
3D Printing Compatible	Yes
Compatible OS	Windows, Android, iOS, macOS
Buttons	Three touch buttons.
Button Functions	Start/Pause scanning, adjusting exposure
LED Indicators	Connection indicator shows the connection status.
	Power indicator shows the power status.
PC Display Screen Resolution	>1344x768 (1920×1080 is recommended)
Wi-Fi	Wi-Fi 6
Connection Port	USB Type-C
<p>Note:</p> <ol style="list-style-type: none"> 1. Accuracy was acquired in a controlled lab environment. Actual results might vary, subject to the operation environment. 2. iOS devices only support Wi-Fi connection. 3. Class 1 Laser: Avoid direct eye exposure for extended periods! Refer to Standards for Class 1 Lasers for details. 	

LED Indicators



Connection Indicator

No light: Not Connected

Solid blue light: Connected

Flashing blue light: Working

Properly



Power Indicator

No light: Not Powered

Solid red light: Powered

Flashing red light: Starting

Solid green light: Started Successfully

Updating the Firmware

A pop-up will notify you when you connect your POP 3 to Revo Scan if a firmware update is available. If you want to update your firmware, follow the install wizard's prompts and ensure your POP 3 has a stable power supply.

Scanner Calibration

Your POP 3 3D Scanner was calibrated in the factory and only needs to be recalibrated after a year of use or if the scanned results do not match the specified accuracy.

Maintenance Instructions

1. Small parts, such as markers, are dangerous if swallowed. Keep all components out of reach of children and animals to avoid serious injury to them.
2. Store the scanner and all accessories in a cool, dry place away from direct sunlight.

3. Do not allow the scanner to come into contact with or become immersed in water or other liquids. Wipe it with a soft, absorbent cloth if it gets wet. Operating a scanner that has gotten wet may cause permanent component damage.

4. Keep the cameras and projector (the two IR cameras, one RGB camera and a projector) clean. Use 95% isopropyl alcohol and a soft cloth to clean them.

5. Handle the scanner with care to avoid hitting the cameras.

6. The operating temperature POP 3 of this product is 0°C to 40°C (32°F to 104°F).

7. Do not disassemble the scanner. If there are any problems or questions, contact the Revopoint customer service team at customer@revopoint3d.com.

Customer Service

If you need any assistance with your scanner, please don't hesitate to contact us at customer@revopoint3d.com or drop us a line at +1 (888) 807-3339 or chat with one of our customer service agents online on our website at www.revopoint3d.com. Click the speech bubble on the bottom right corner of the screen.

IC Warning

This device complies with Industry Canada's licence-exempt RSS standard(s). Operation is subject to the following two conditions:

- (1) this device may not cause interference, and
- (2) this device must accept any interference, including interference that may cause undesired operation of the device.

This Class B digital apparatus complies with Canadian ICES-003.

IC RF Statement:

When using the product, maintain a distance of 20cm from the body to ensure compliance with RF exposure requirements.

FCC Warning

This device complies with part 15 of the FCC Rules. Operation is subject to the following two conditions:

- (1) This device may not cause harmful interference, and
- (2) this device must accept any interference received, including interference that may cause undesired operation.

Any Changes or modifications not expressly approved by the party responsible for compliance could void the user's authority to operate the equipment.

Note: This equipment has been tested and found to comply with the limits for a Class B digital device, pursuant to part 15 of the FCC Rules. These limits are designed to provide reasonable protection against harmful interference in a residential installation. This equipment generates uses and can radiate radio frequency energy and, if not installed and used in accordance with the instructions, may cause harmful interference to radio communications. However, there is no guarantee that interference will not occur in a particular installation. If this equipment does cause harmful interference to radio or television reception, which can be determined by turning the equipment off and on, the user is encouraged to try to correct the interference by one or more of the following measures:

- Reorient or relocate the receiving antenna.
- Increase the separation between the equipment and receiver.
- Connect the equipment into an outlet on a circuit different from that to which the receiver is connected.
- Consult the dealer or an experienced radio/TV technician for help.

This equipment complies with FCC radiation exposure limits set forth for an uncontrolled environment.

This equipment should be installed and operated with minimum distance 20cm between the radiator & your body.

Warning

The product cannot be returned
if the "**Warranty Void If Seal Is Broken**"
label is damaged or removed.

This content is subject to change.



www.revopoint3d.com

If you have any questions about this document,
Please contact Revopoint by sending a message
to support@revopoint3d.com or our forum
<https://forum.revopoint3d.com/>.